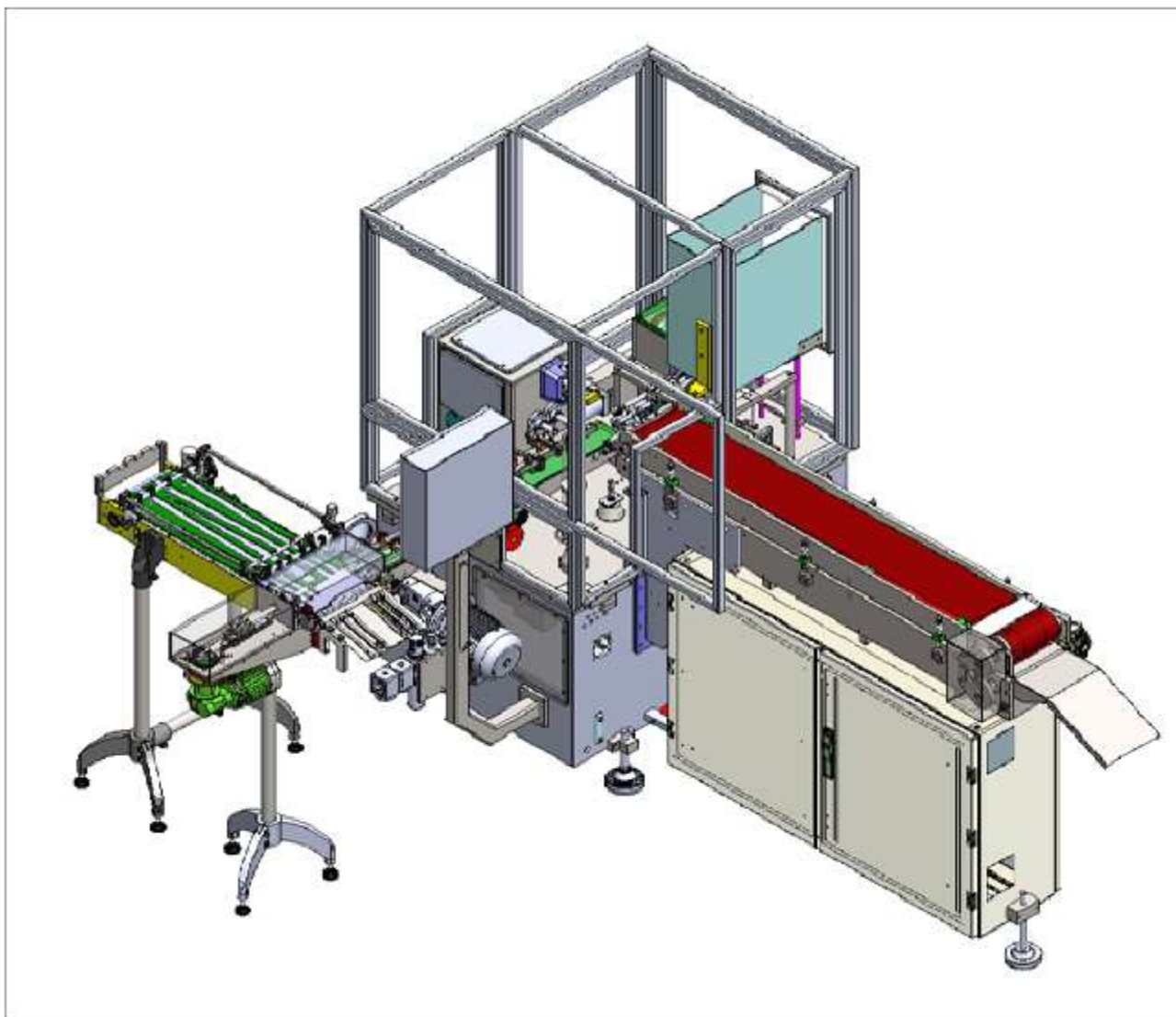


*Type – B 75*

*Packaging machine – Cartoning*



*Product – boxes from open blank*

*Production capacity – up to 240 boxes / minute (\*)*

### *DAKY Box 75 - technical details*

- Cartoning machine studied for open blank carton
- Machine could form the following sizes
  - 2 (single row and double boxes)
  - 4-6-8-10-12-16-20 (double rows)
  - 9-12-15-18-24 (three rows)
- The double elevator, driven by cam, avoid the cubes damage from the elevator
- ***Machine dimension extremely small (97 x 102) cm***
- Type of product: square or rectangular like butter or stock cubes
- All parts in contact with product are made in stain less steel
- Production max 120 cartons /minute
- Oil bath for mechanical equipment inside the machine structure
- All movement is drive by cam
- Power required 3 kW
- Boxes exit in one row
- Machine works with a motor served by inverter
- Touch screen operator panel
- In case of product lack machine stops
- Lamp and sound inform carton finishing
- In case the cartons are finished the machine stops
- Speed controlled by operator panel
- Production monitoring with statistic value
- Machine equipped with safety protection according to the UE roles

### *(\*) In case of size 2 cubes*

- ***In case we of soft line we could absorb all the 300 cubes production***
- ***In case of hard line we could absorb 480 cubes production***
- The machines produce simultaneously two boxes for every machine cycle
- Box production up to 240 cartons / minute
- Box exit in two rows
- The magazine for the open blank is double



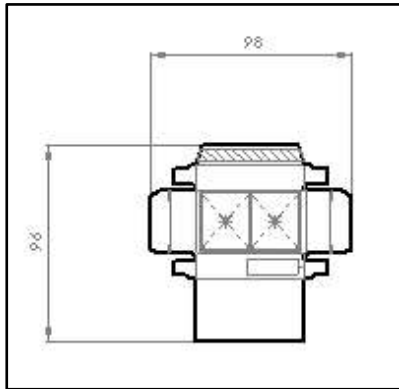
Cam study of the double elevator



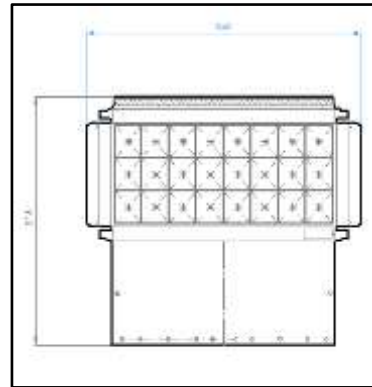
Double elevator to avoid cubes damage

### *Open blank characteristic*

- The open blank is the cartons used for this machine
- Minimum size two cubes, maximum size twenty four cubes
- All cubes comes in side by side (SbS), in case head to head (HtH) is optional
- Glue used vinyl, under request hot melt
- Ink jet system installation under request



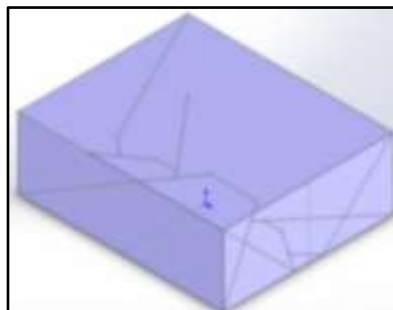
Two cubes SbS open blank cartons



Twenty cubes SbS open blank cartons

### *Stock cubes characteristic*

- Size of the stock cubes (24,5 x 29,5 x 10) mm, KNORR style or (23 x 31 x 10) mm, MAGGI
- Different cubes dimension need to be evaluated
- Weight (9-12 ) gr
- Dimension of product admitted +/- 0,1 mm
- (\*) Past characteristics could modify machine reaction in packaging



Stock cubes

*Lay out*

*BOX 75*

